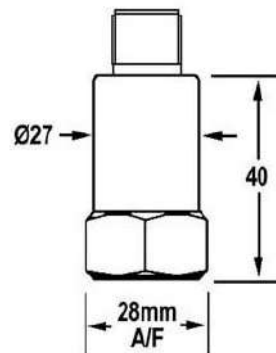
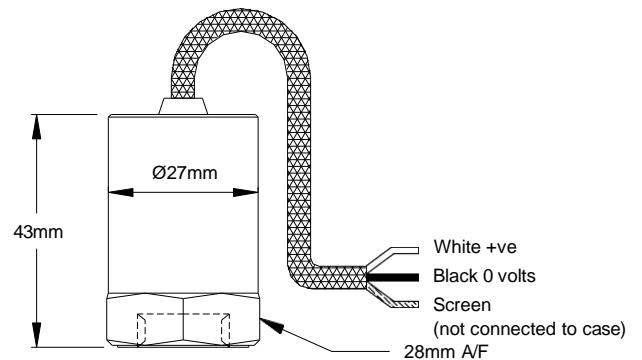


Acceleration sensor CI 185 Series for PLC interface Output in Velocity units as 4...20 ma signal. Loop powered

CI 185

Applications

- ▶ Fans
- ▶ Blowers
- ▶ Compressors
- ▶ Pumps



Technical Specification

Output Current	4-20mA DC proportional to RMS velocity (mm/s)
Velocity Range	See table below
Frequency Response	2 Hz to 1 kHz $\pm 10\%$
Dynamic Range	50g peak
Mounted Resonance	5 kHz min
Isolation	Base isolated
Operating Temp Range	-30 to 90 °C
Temperature Sensitivity	0.08 %/°C
Transverse Sensitivity	Less than 5%
Supply Voltage	12-32 Volts DC (4-20 mA) Loop powered
Standard Cable length	5 meters armoured PTFE for AT and EX versions
Maximum Cable length	1000 meter, for EX version see ATX009
Mating Connector	2 pin MS for CT version
Case Material	Stainless steel
Weight	150 gms (nominal)
Sealing	IP67
Mounting Torque	8 Nm
Certificate Details:	Group I EEx ia I Baseefa02ATEX0245 Group II EEx ia IIC T6 BAS02ATEX1057
System Connection	Drawing ATX009
Barrier	MTL 787S, BAS01ATEX7202 or P&F Z787, BAS01ATEX7005 or any other barrier that conforms to Note 4 of ATX009.
Options	Ranges, side exit cable, filters, mounting threads, other cable length,

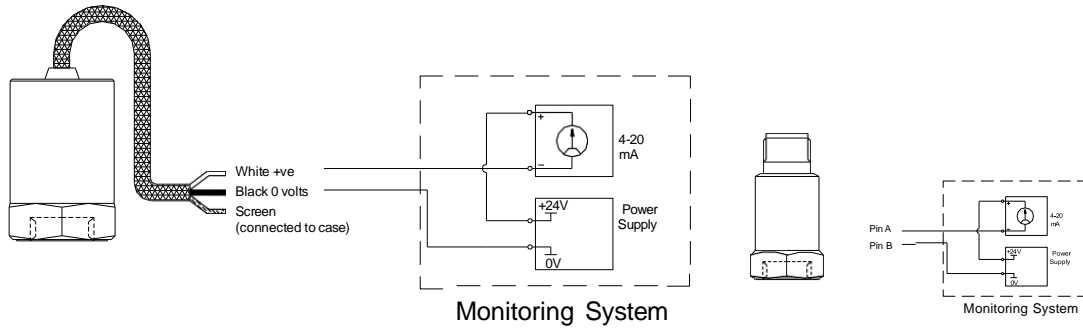
Ordering Information

		Range in mm/sec	Connection	Output	Mounting
VMD	185	010	AT (Armoured cable top)	CA (Analogue mA)	S (standard ¼" UNF fem. with Adapter to M8 Male)
		020	CT (Connector top)		
		025	EX (Intrinsic safe version) (Integral cable) ATEX		
		050			
		100			

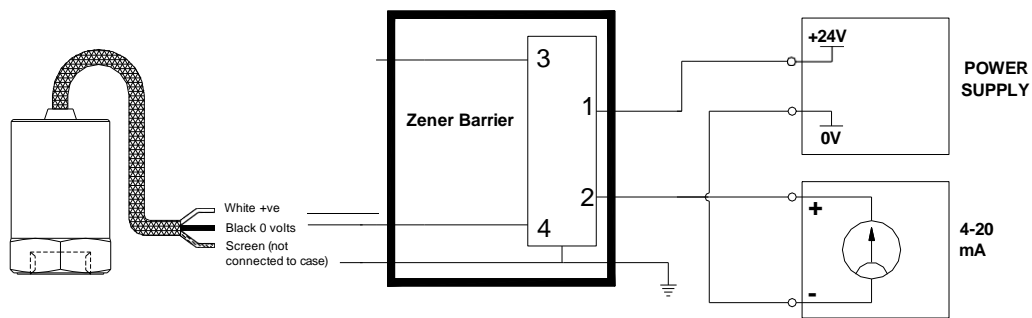
Standard Options Highlighted

Contact us:
Unit 402, 4th floor, No. 42, Sharifi St., Jordan St., Tehran, Iran
Tel: 0098-218879847-Fax 0098-2188779514
www.setc.ir-info@setc.ir
Mob:00989123840728

System Connection



Barrier System Connection



Mounting Adapters and Studs

Studs



Included Adapters	
From	To
1/4" - 28 UNF	M8 x 1,25
1/4" - 28 UNF	1/4" - 28 UNF

Vibro-Meter GmbH
Kaiserleistraße 51

